

RA4015-M 1U Rackmount 3 / 6 / 9 Fan Monitored Trays



Features & Benefits

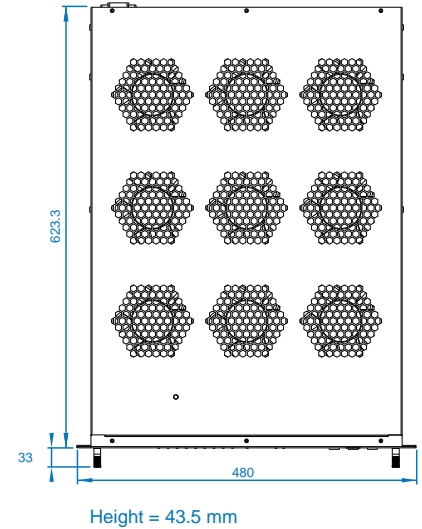
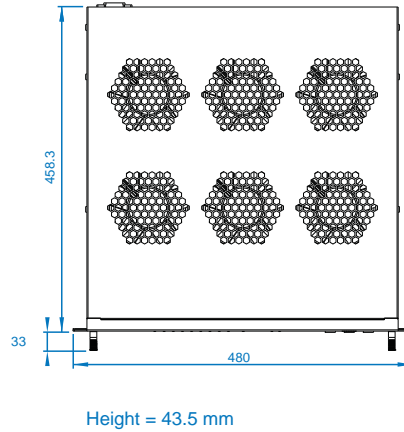
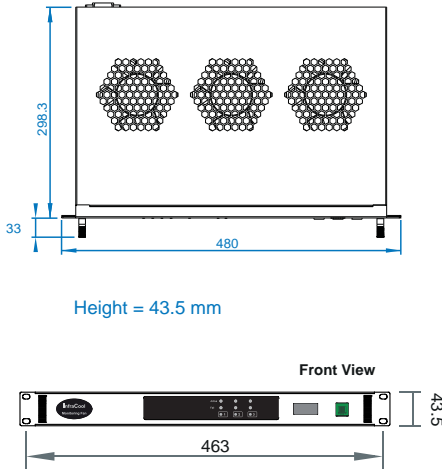
- ▶ Designed for low noise / high airflow performance
- ▶ Auto-sensing 110V to 220VAC power input
- ▶ 1 x temp. sensor port with a bundled sensor
- ▶ Front Temperature LED display
- ▶ Unit or individual fan on / off (local)
- ▶ 48V, 24V or 12VDC power option

Diagrams (mm)

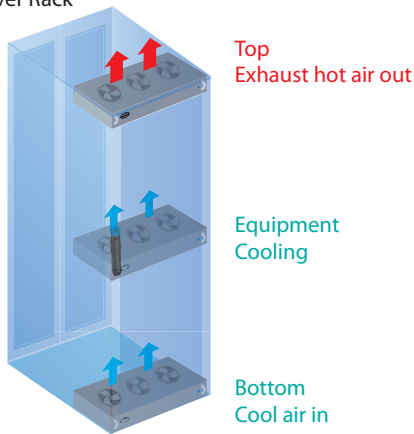
Model:RA4015-3-M

Model:RA4015-6-M

Model:RA4015-9-M



Server Rack



Specifications

• 1U Fan Tray

- No. of Fans : 3 / 6 / 9
- Individual Fan CFM : 108 CFM
- Unit CFM (approx.) : 324 CFM / 648CFM / 972 CFM

• Temperature Sensor

- Temp. Port : 1 x temp. sensor port (sensor bundled)
- Measurement Range : 0 to 99.9°C
- Measurement Accuracy : +/- 1.5%

• Environmental

- Operating : 0 to 50°C Degree
- Storage : -5 to 60°C Degree
- Relative humidity : 5~90%, non-condensing
- Shock : 50G peak acceleration (11ms, half-sine wave)
- Vibration : 58~100Hz / 0.98G (11ms / cycle)

• Weight

- Net : 3 Fan: 4 kgs (8.8 lbs)
6 Fan: 6.8 kgs (15 lbs)
9 Fan: 9 kgs (19.8 lbs)

• Casing Color :

Black

• Mounting :

1U rackmount

• Safety Regulatory :

FCC & CE certified

• Environmental :

RoHS2 & REACH compliant by SGS

• Power

- Input : Auto-sensing
100V or 240V AC at 50 or 60Hz via IEC type cord
- Consumption : 20W / 40W / 60W

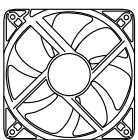
• Dimensions

- Product : 3 Fan: 480 x 298.3 x 43.5 mm / 18.9 x 11.7 x 1.71 inch
6 Fan: 480 x 458.3 x 43.5 mm / 18.9 x 18 x 1.71 inch
9 Fan: 480 x 623.3 x 43.5 mm / 18.9 x 24.5 x 1.71 inch

Technical Specifications

- Motor Design – 2 phases, 4-poles Brushless DC motor
- Bearing System – Precision ball bearing system
- Direction of Rotation – Counter-clockwise viewed from front of fan blade
- 100~240 VAC 50/60 Hertz
- Rated Current – 451 mA per fan
- Rated Power Consumption – 5.4 WATTS per fan
- Operating Temperature Range: -10 to + 70 deg. C
- Storage Temperature Range: - 40 to + 70 deg. C

Fan Specification



- Air Delivery : 108 CFM
- Rate Speed : 3100 RPM +/-10%
- Rated Voltage : 12 VDC
- Rated Current : 451 mA
- Noise Level : 45 dB
- Dimension : 120 x 120 x 25 mm
- Bearing System : Precision ball bearing system
- Protection : Automatic restart capability

